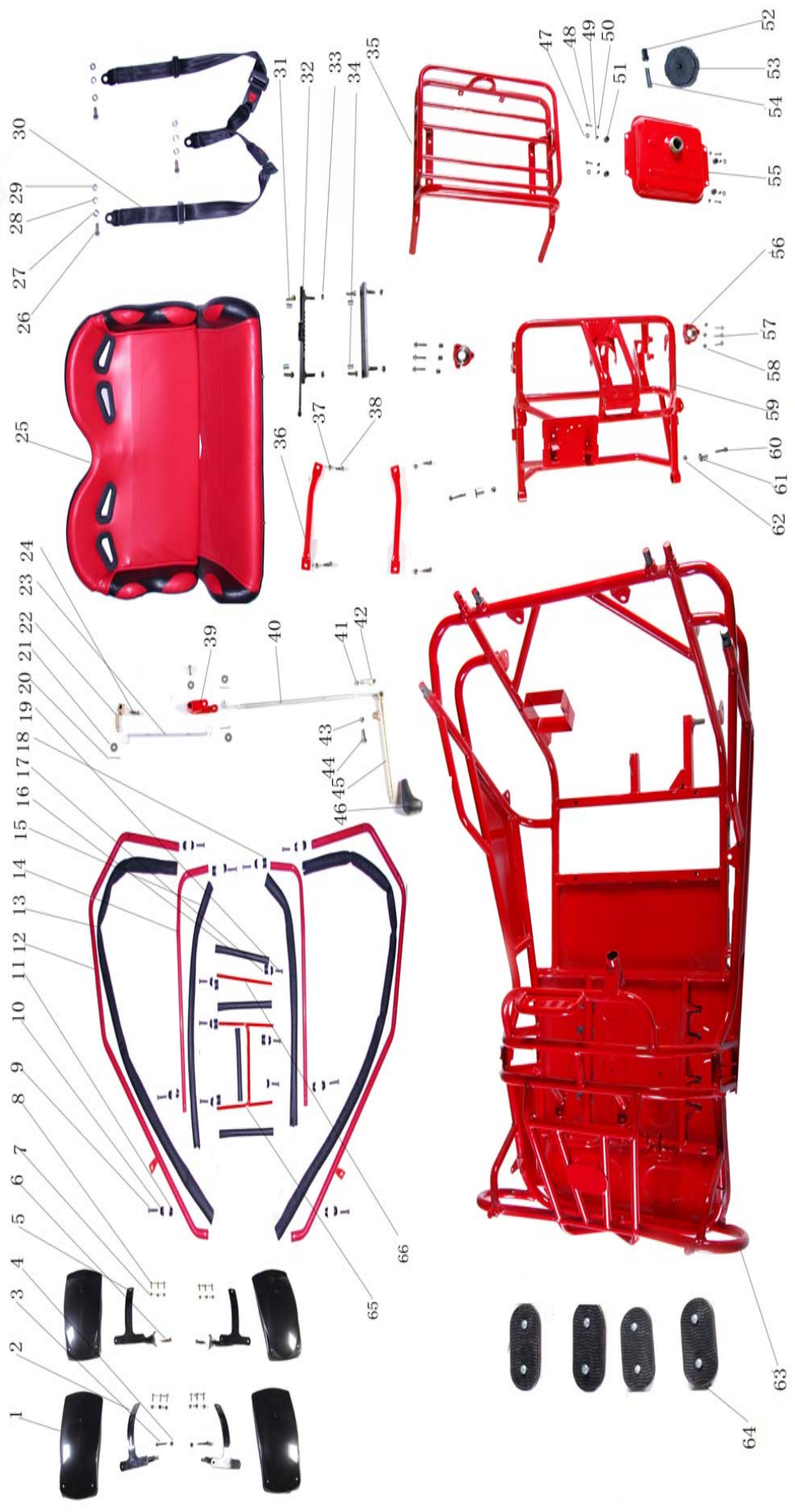


零件目录

PARTS CATALOGUE

XT110GK(青年款)

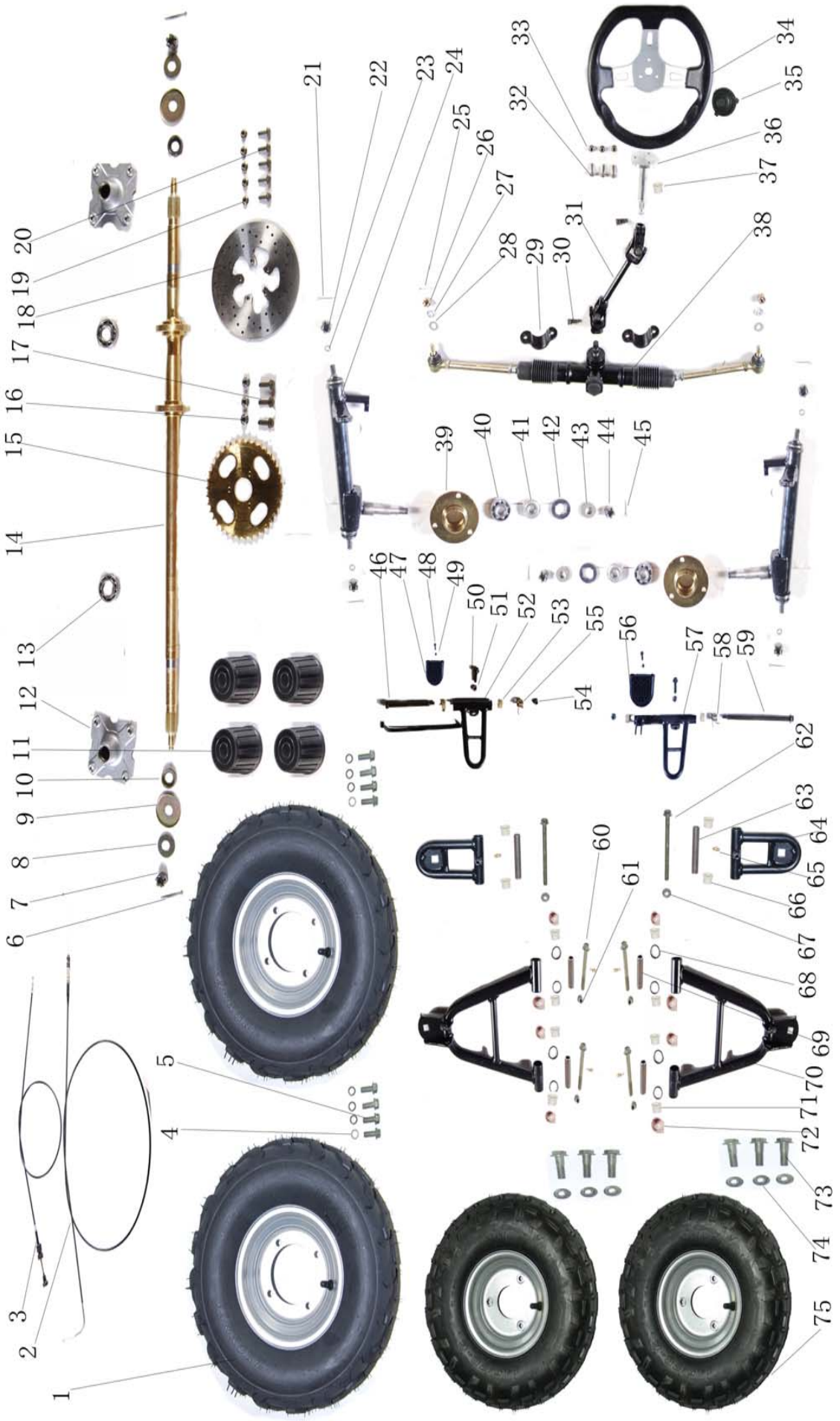
Kinroad xintian Motorcycle Manufacture co., ltd



NO.	Part NO.	Description	Description in English	数量Qty	价格Price	备注Remark
1	KA003130000	挡泥板	F/R FENDER	4		
2	KA00136001A	前挡泥板支架	FRONT FENDER, R	1付		
3	GB5787-86	六角法兰螺栓 M6×35	BOLT FLANGE M6×35	2		
4	GB6170-86	六角螺母M6	NUTM6	2		
5	KA00138001A	后挡泥板支架	REAR FENDER, R	1付		
6	GB5787-86	六角法兰螺栓 M8×16	BOLT FLANGE M8×16	2		
7	GB6170-86	六角螺母M6	NUTM6	12		
8	GB5787-86	六角法兰螺栓 M6×16	BOLT FLANGE M6×16	12		
9	GB/T 70.1-2000	内六角螺栓M8×40	BOLT M8×40	6		
10	KC003140000	防护杆螺栓盖（B）	BRUSH GUARD BAR ,BOLT COVER(B)	14		
11	KC003130000	防护杆螺栓盖（A）	BRUSH GUARD BAR ,BOLT COVER(A)	6		
12	KC001150010	保险杠架	RIGHT BRUSH GUARD BAR ,MAIN	2		
13	KC001150011	保险杠架保护套	BUSH, BRUSH GUARD BAR	2		
14	KC001150012	侧保险杠架	RIGHT BRUSH GUARD BAR ,MAIN	2		
15	KC001150013	侧保险杠架保护套	FOAM COVER 1	2		
16	KC001150014	保险杠横杆保护套	FOAM COVER 2	1		
17	KC001150015	保险杠横杆小帽	CAP,BRUSH GUARD BAR CENTER	6		
18	KC001150016	保险杠架小帽	CAP,BRUSH GUARD BAR	2		
19	GB/T 70.1-2000	内六角螺栓M8×50	BOLT M8×50	8		
20	GB/T91-86	开口销 Φ2.5×30	PIN Φ2.5×30	4		
21	GB/T96.1-2002	垫片M8	WASHER M8	4		
22	KE001830000	换挡摇臂	Bracket of arm of gear-shift	1		
23	KE001830010	换挡拉杆前段	FR.Bracket of gear shifting	1		

24	GB5787-86	六角法兰螺栓M6×20	BOLT M6×20	1		
25	KC007010000-1	座垫	SEAT ASSY.	1		
26	GB/T41-2000	保险带安装螺栓	NUT, SAFETY BELT	3		
27	GB/T93-87	保险带安装平垫	SPRING WASHER, SAFETY BELT	3		
28	GB/T96.1-2002	保险带安装弹垫	WASHER, SAFETY BELT	3		
29	GB5787-86	保险带安装螺母	SPECIAL BOLT, SAFETY BELT	3		
30	KC007020000-1	保险带	BELT.SAFETY	1		
31	GB5787-86	六角法兰螺栓 M8×35	BOLT FLANGE M8×35	4		
32	KE00705001A	滑轨	RAIL SET.SEAT	1付		
33	GB6187-86	六角法兰自锁螺母 (M8)	LOCK NUT FLANGE (M8)	4		
34	KA003380100	衬套M8x25	BUSH M8x25	4		
35	KC101350000-1	后货架	CARRIER COMP., REAR	1		
36	KE101140000	后储物架支架	SUPPORTER, CARRIER	2		
37	GB6187-86	六角法兰自锁螺母 (M8)	LOCK NUT FLANGE (M8)	4		
38	GB5787-86	六角法兰螺栓 M8×30	BOLT FLANGE M8×30	4		
39	KE001830020	换挡拉杆连接架	Bracket of gear shifting	1		
40	KE001830030	换挡拉杆后段	R. Bracket of gear shifting	1		
41	GB6170-86	六角螺母 M8	NUT M8	1		
42	KC006020100	连接杆球头	TIE BALL	1		
43	GB6187-86	六角法兰自锁螺母 (M8)	LOCK NUT FLANGE (M8)	1		
44	GB5787-86	六角法兰螺栓 M8×30	BOLT FLANGE M8×30	1		
45	KC101370000	倒档手柄	SHIFT GEAR THE POLE	1		
46	KA003380000	倒档器手柄套	cover, lever.	1		
47	GB/T96.1-2002	垫片M6	WASHER M6	4		
48	GB5787-86	六角法兰螺栓M6×25	BOLT M6×25	4		

49	KA003380200	小隔套	SMALL BUSH	4		
50	GB6187-86	六角法兰自锁螺母 (M6)	LOCK NUT FLANGE (M6)	4		
51	KA003370000	油箱橡胶圈	RUBBER RING	4		
52	KA002070000	止回阀	CHECK VALVE	1_		
53	KA002060100	油箱盖	CAP, COMP. FUEL TANK	1		
54	KE003210100-1	油管	TUBE COMP.FUEL	1		
55	KC002020000-2	油箱	TANK, COMP. FUEL	1		
56	KC101330000	后轮轴承座	HOUSING COMP, RR.AXLE BRG	2		
57	GB5787-86	六角法兰螺栓 M8×40	BOLT FLANGE M8×40	6		
58	GB6187-86	六角法兰自锁螺母 (M8)	LOCK NUT FLANGE (M8)	6		
59	KC00120001A-2	后摇架	REAR SWING ARM COMP.	1		
60	GB5787-86	六角法兰螺栓M10×55	BOLT M10×55	2		
61	KC003390000	减震套	RUBBER BUSH, SWING ARM	2		
62	GB6187-86	六角法兰自锁螺母 (M10)	LOCK NUT FLANGE (M10)	2		
63	KC001010000-2	主车架	FRAME COMP.	1		
64	KC003320000	脚踏橡胶板	FOOT PLATE.RUBBER	4		
65	KE101080000	保险架横杆	BRUSH GUARD BAR ,CENTER	1		
66	KE101070000	保险架小架	LEFT BRUSH GUARD BAR ,MAIN	1		

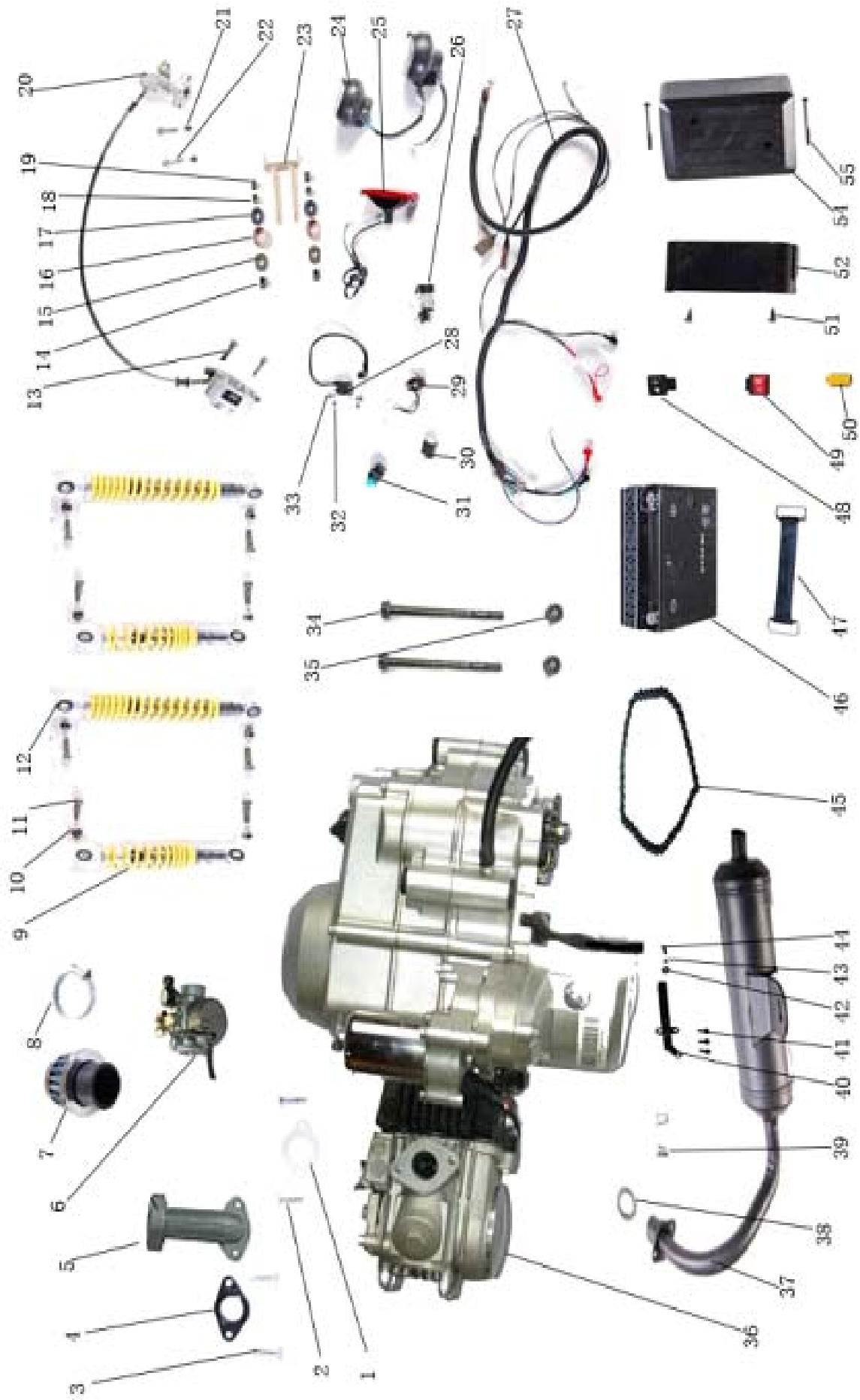


NO.	Part NO.	Description	Description in English	数量Qty	价格Price	备注Remark
1	KA005020200-1	后辐板轮	RIM, REAR	2		
2	KC006210000	油门线	CABLE COMP.THROTTLE	1		
3	KC006231000	风门线	CHOKE CABLE	1		
4	GB/T93-87	弹垫Φ10	WASHER Φ10	8		
5	GB5787-86	六角法兰螺栓M10×20	BOLT FLANGE M10×20	8		
6	GB/T91-86	开口销 Φ3.2×32	PIN Φ3.2×32	2		
7	GB6178-86	六角开槽螺母 M14×1.5	NUT, RR.AXLE M14×1.5	2		
8	KA001580030	M14平垫	HOLDER, RR.WHEEL CAP	2		
9	GB/T93-87	14 弹垫	SPRING WASHER 14	2		
10	GB6178-86	六角开槽螺母 M14×1.5	NUT, RR.AXLE M14×1.5	2		
11	KC003360000	轮轴盖	CAP, RR. WHEEL	4		
12	KE005050030	后轮毂	HUB, REAR. WHEEL	2		
13	KE005530000	轴承 6005	AXLETREE 6005	2		
14	KE005060030	后轮轴	AXLE COMP., RR.	1		
15	KA005220030	链轮38齿	REAR SPROCKET	1		
16	GB6187-86	六角法兰自锁螺母 M8	LOCK NUT FLANGE M8	3		
17	GB5787-86	六角法兰螺栓M8×20	BOLT FLANGE M8×20	3		
18	KA00164001A	后碟刹盘	DISC, RR. BRAKE	1		
19	GB6187-86	六角法兰自锁螺母 (M6)	LOCK NUT FLANGE M6	5		
20	GB5787-86	六角法兰螺栓M8×20	BOLT FLANGE M8×20	5		

21	GB/T91-86	开口销 $\Phi 2.5 \times 30$	PIN $\Phi 2.5 \times 30$	4		
22	GB6178-86	六角开槽螺母M10	NUT, RR.AXLE M14 \times 1.5	4		
23	GB/T95-85	M10平垫	WASHER $\Phi 10$	4		
24	KC00603001A	左支撑轴	KNUCKLE SUPPORT, LH	1		
25	GB/T91-86	开口销 $\Phi 2.5 \times 30$	PIN $\Phi 2.5 \times 30$	2		
26	GB6178-86	六角开槽螺母M10	NUT, RR.AXLE M10 \times 1.5	2		
27	GB/T93-87	M10弹垫	SPRING WASHER 10	2		
28	GB/T95-85	M10平垫	WASHER $\Phi 10$	2		
29	KE00153001A	方向器压板	STEERING GEAR BRACKET	2		
30	GB5787-86	六角法兰螺栓M8 \times 25	BOLT FLANGE M8 \times 25	2		
31	KA006010400	转向关节轴	SEEERING KNUCKLE	1		
32	GB5787-86	六角法兰螺栓M6 \times 12	BOLT FLANGE M6 \times 12	3		
33	GB6187-86	六角法兰自锁螺母 (M6)	LOCK NUT FLANGE M6	3		
34	KC006050000	方向盘	STEERING COMP.	1		
35	KC003020000	边向器螺栓盖	COVER, STEERING BOLT	1		
36	KC101320000	边向轴	STEERING SHAFT	1		
37	KC101320100	尼龙衬套	NYLON BUSH 1	1		
38	KA101710010	变向箱	STEERING GEAR	1		
39	KE005040030	前轮毂	HUB, FR. WHEEL	2		
40	KE005520000	轴承6204RZ	AXLETREE 6204RZ	2		
41	KE005520000	轴承6203RZ	AXLETREE 6203RZ	2		
42	KE005520020	前轮毂油封	DUST SEAL2, FR. HUB	2		

43	KA005060030	m14衬套	BUSH m14	2		
44	GB6178-86	六角开槽螺母 M14×1.5	NUT, RR. AXLE M14×1.5	2		
45	GB/T91-86	开口销 Φ3.2×32	PIN Φ3.2×32	2		
46	GB5787-86	油门踏板轴	BOLT FLANGE M8×145	1		
47	KA003320000	油门橡胶块	RUBBER, THROTTLE	1		
48	GB5787-86	六角法兰螺栓M5×12	BOLT FLANGE M5×12	2		
49	GB6187-86	六角法兰自锁螺母 (M5)	LOCK NUT FLANGE M5	2		
50	GB5787-86	六角法兰螺栓M8×40	BOLT FLANGE M8×40	2		
51	GB6170-86	六角螺母M8	NUT M8	2		
52	KE001150010	油门踏板组件	PEDAL COMP., THROTTLE	1		
53	KC103610000	尼龙衬套	NYLON BUSH 2	4		
54	KA001820030	油门踏板扭簧	SPRING, THROTTLE PEDAL	1		
55	GB6187-86	六角法兰自锁螺母 (M8)	LOCK NUT FLANGE M8	2		
56	KA003320000	刹车橡胶块	RUBBER, BRAKE	1		
57	KE001160010	刹车踏板组件	PEDAL COMP., BRAKE	1		
58	KA001810030	刹车踏板扭簧	SPRING, BRAKE PEDAL	1		
59	GB5787-86	刹车踏板轴	BOLT FLANGE M8×221	1		
60	GB5787-86	六角法兰螺栓M8×105	BOLT FLANGE M8×105	?		
61	GB6187-86	六角法兰自锁螺母 (M10)	LOCK NUT FLANGE M10	4		
62	GB5787-86	六角法兰螺栓M8×105	BOLT FLANGE M8×105	2		
63	KA001700030	上悬挂中心衬管	SPACER, CENTER UPPER	2		
64	KE101170010	上悬挂	SUSPENSION ARM COMP, UPPER	2		
65	KA001690030	油嘴	BLOWHOLE	6		

66	KA003440000	上悬挂尼龙衬套	BUSH, SUSPENSION ARM ASSY., UPPE	4		
67	GB6187-86	六角法兰自锁螺母 (M8)	LOCK NUT FLANGE M8	2		
68	KA003410000	O型圈	"O" DUST SEAL	8		
69	KE001710030	下悬挂中心衬管	SPACER, CENTER LOWER	4		
70	KE101180010	下悬挂	SUSPENSION ARM COMP, LOWER	2		
71	KA003450000	下悬挂尼龙衬套	BUSH, SUSPENSION ARM ASSY., UPPE	8		
72	KA001670030	下悬挂臂防尘盖	DUST CAP, SUSPENSION LOWER	8		
73	GB5787-86	六角法兰螺栓M8×20	BOLT FLANGE M8×20	6		
74	GB6187-86	六角法兰自锁螺母 (M8)	LOCK NUT FLANGE M8	6		
75	KA005010200-1	前辐板轮	RIM, FR.	2		



NO.	Part NO.	Description	Description in English	数量Qty	价格Price	备注Remark
1	50Z 12020	进气管胶垫	GASKET,INTAKE PIPE	1		
2	GB5787-86	六角法兰螺栓M6×25	BOLT M6×25	2		
3	GB5787-86	六角法兰螺栓M6×30	BOLT M6×30	2		
4	50Z 12030	化油器隔热垫	GASKET OF CARBURETOR	1		
5	KE002050000	弯头	SYPHON	1		
6	KC002020000-1	化油器	CARBURETOR ASSY	1		
7	KC0A2030000	空滤器	AIR CLEANR ASSY.	1		
8	KE0A2040000	卡箍	CLAMP	1		
9	KC00631001B-1	前减震器	ABSORBER ASSY. FR.	2		
10	GB6187-86	六角法兰自锁螺母 (M10)	LOCK NUT FLANGE (M10)	8		
11	GB5787-86	六角法兰螺栓M10×40	BOLT M10×40	8		
12	KE006320010	后减震器	ABSORBER ASSY. RR.	2		
13	GB5787-86	六角法兰螺栓M8×30	BOLT FLANGE M8×30	2		
14	GB6187-86	六角法兰自锁螺母 (M12×1.25)	LOCK NUT FLANGE M12 ×1.25	2		
15	52155-BCA0-0000	缓冲器垫圈	WASHER, BUFFER PAD	2		
16	KA001550030	缓冲器座	SPACER, ENGINE MOUNT LINK	2		
17	KA003390000	吊架缓冲橡胶圈	BUFFER PAD, ENGINE MOUNT LINK	2		
18	52152-BCA0-0000-0C	隔震环	COLLAR, ENGINE MOUNT LINK	2		
19	90293-BCA0-0000-0C	调整螺母 M12×1.25	NUT,ENGINE MOUNT LINK M12×1.25	2		
20	KE100531000-2	制动泵	BRAKE	1		
21	GB6187-86	六角法兰自锁螺母 M8	LOCK NUT FLANGE M8	2		

22	GB5787-86	六角法兰螺栓M8×30	BOLT FLANGE M8×30	2		
23	KE001320030	吊杆	LINK COMP, ENGINE MOUNT	1		
24	KC004020000	大灯组件	HEAD LAMP ASSY.	2		
25	KA0A4110000	后尾灯	TAIL LAMP ASSY.	1		
26	KA004010000	点火锁	KEY SET-IGNITION SWITCH COMP.	1		
27	KC004120000-1	主电缆	MAIN WIRE HARNESS	1		
28	KC004090000-1	高压包	COIL COMP. IGNITION	1		
29	KA004050000	起动继电器	STARTING RELAY	1		
30	KA004040000	调压整流器	RECTIFIER COMP, REGULATE	1		
31	KC004080000-1	CDI点火器	CDI UNIT	1		
32	GB6187-86	六角法兰自锁螺母 M6	LOCK NUT FLANGE M6	1		
33	GB5787-86	六角法兰螺栓M6×16	BOLT M6×16	1		
34	GB5787-86	六角法兰螺栓M8×115	BOLT M8×115	2		
35	GB6187-86	六角法兰自锁螺母 M8	LOCK NUT FLANGE M8	2		
36	KE002010000	发动机	ENGINE ASSY	1		
37	KE0A2040000	排气消声器总成	MUFFLER COMP.,EX	1		
38	KE0A2040001	排气管密封垫	GASKET, EX. PIPE	1		
39	KE002300000	盖形长螺母M6×25	NUT, MUFFLER JOINT M6×35	2		
40	KE0A2040100	排气管支架	BRACKET OF MUFFLER COMP.	1		
41	GB5787-86	六角法兰螺栓M8×20	BOLT FLANGE M8×20	3		
42	GB/T97-87	小平垫 φ8	FLAT WASHER φ8	1		
43	GB/T93-87	M8弹垫	SPRING WASHER 8	1		

44	GB5787-86	六角法兰螺栓M8×20	BOLT FLANGE M8×20	1		
45	KA005230000	链条428 48节	CHAIN 428	1		
46	KA003360000	蓄电池	BATTERY	1		
47	KA003360100	蓄电池绑带	RUBBER TIE OF BATTERY	1		
48	KA004030000	照明开关	SWITCH COMP., HEAD LIGHT	1		
49	KA004020000	熄火开关	SWITCH COMP., IGNITION STOP	1		
50	KC004010000	喇叭开关	SWITCH COMP., HORN	1		
51	GB845-85	自攻螺钉ST4×10	SCREW ST4×10	2		
52	KA003080000	开关下盖	SWITCH LOWER COVER	1		
54	KB003010000	电器盒	WIRING BOX	1		
55	GB818-85	十字盘头螺钉M6×75	SCREW 6X75	2		